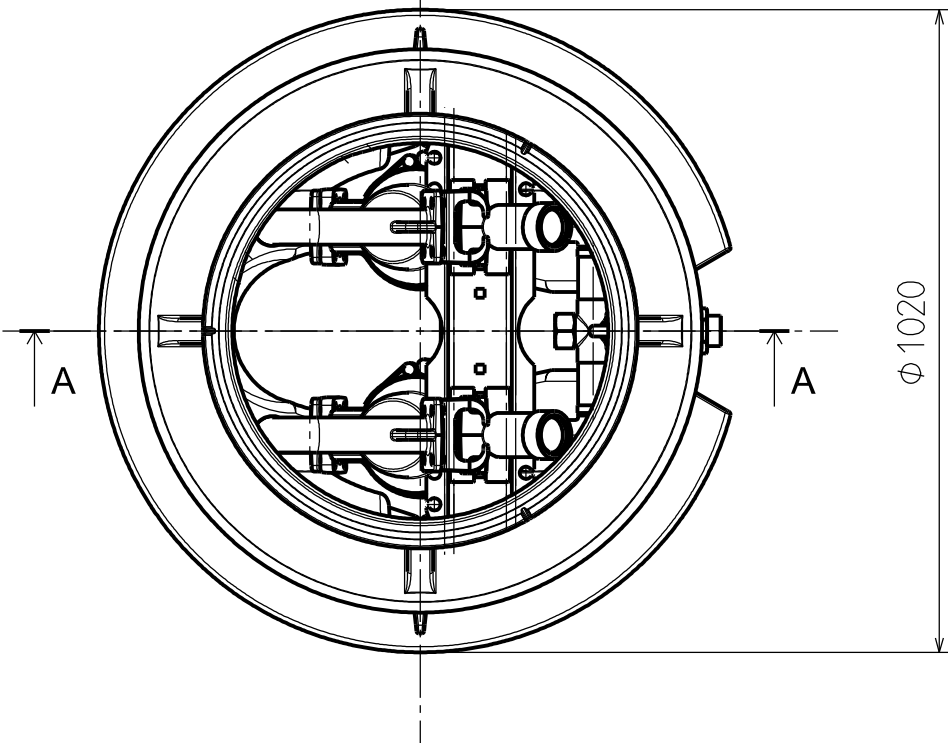
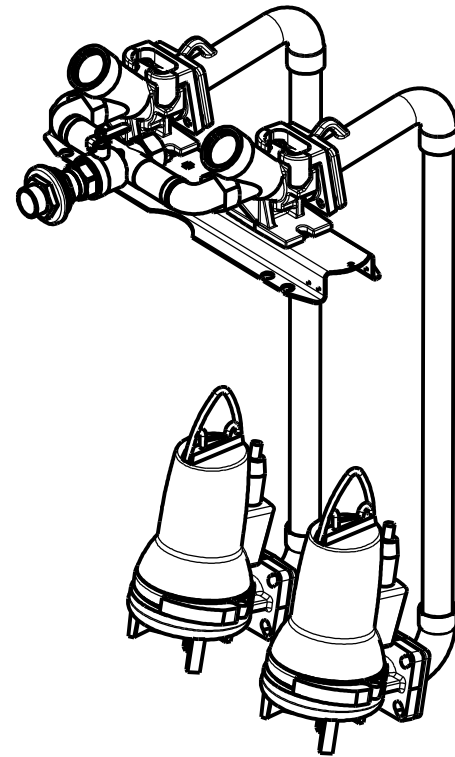
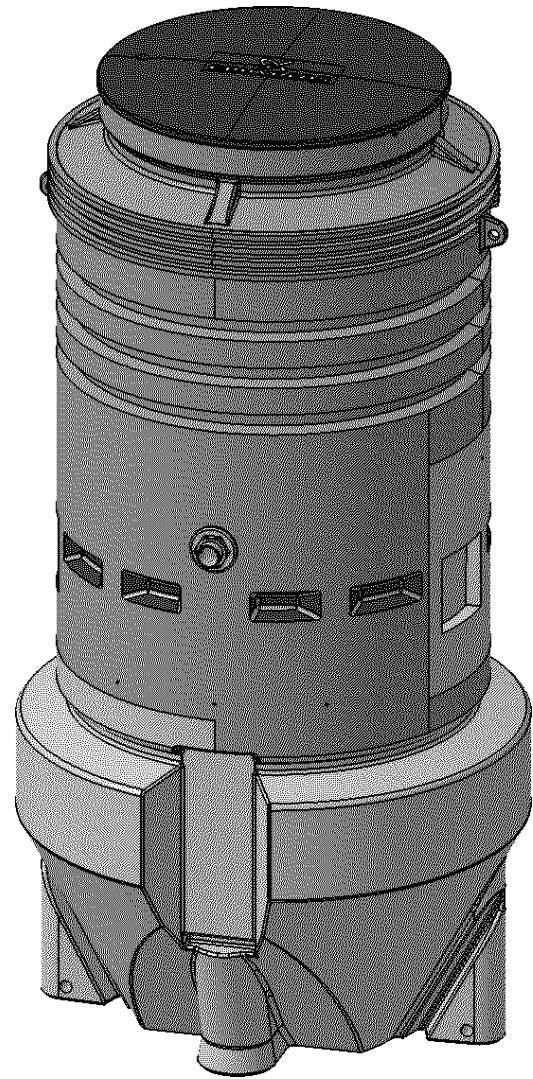
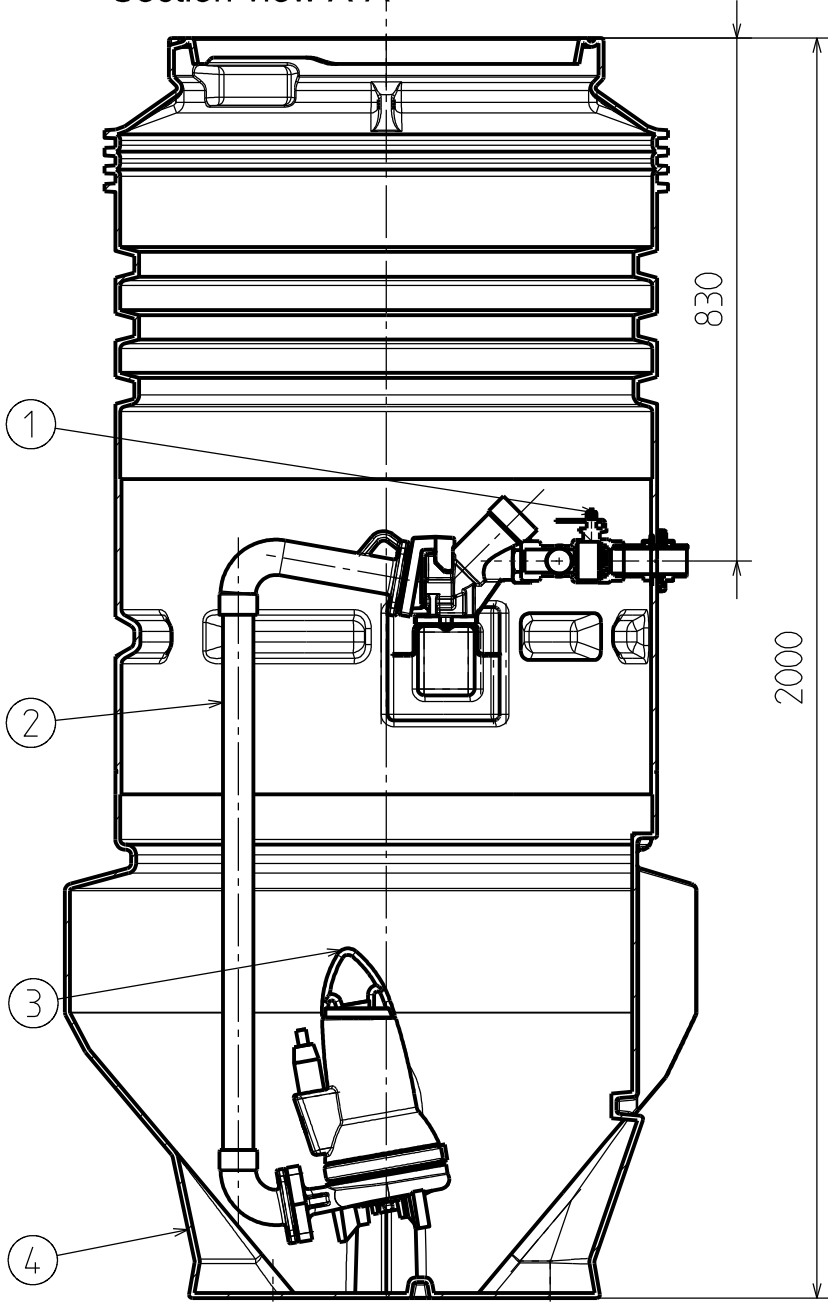


Section view A-A



No.	COMPONENT	DESCRIPTION
1	99179597	Outlet pipe S.DN40
2	99177764	Pressure pipe 2M. SS
3	99359473	SEG Pump
4	99157529	Well w. cover D1000/800x2000 PE Hook up

Basic Material No:		<p>DK-8850 BJERRINGBRO DENMARK</p> <p>As this is the property of GRUNDFOS a/s it must not be passed on to any person not authorized by GRUNDFOS or be copied or otherwise utilized by anybody without GRUNDFOS' expressed written permission.</p>	Scale: 1:10	Drawer: 72933	Date: 2018-07-10
Dimension of basic material:			Replaced:	Approver: 74193	Date: 2018-07-10
Type of basic material:			Replaced by:	Drawing No: 99161801	
1239152	2018-07-10 DOVI	Drawing type: Assembly Drawing	Description: PS.R.10.20.D.DC.SS40. H40.SEG		Page: 1 of 1
ECM No.	Date - Init	Nominal net mass: kg	Projection:		Part Version: --- Doc. Revision: ---
		Projection:	ISO GPS. All dimensions are in mm		